

Basic Pump

DS

# Self Priming Centrifugal Pump



## Model T10A3S-B

Size 10" x 10"



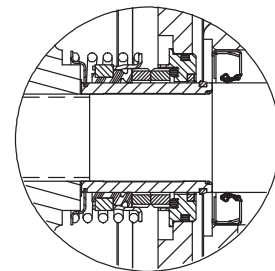
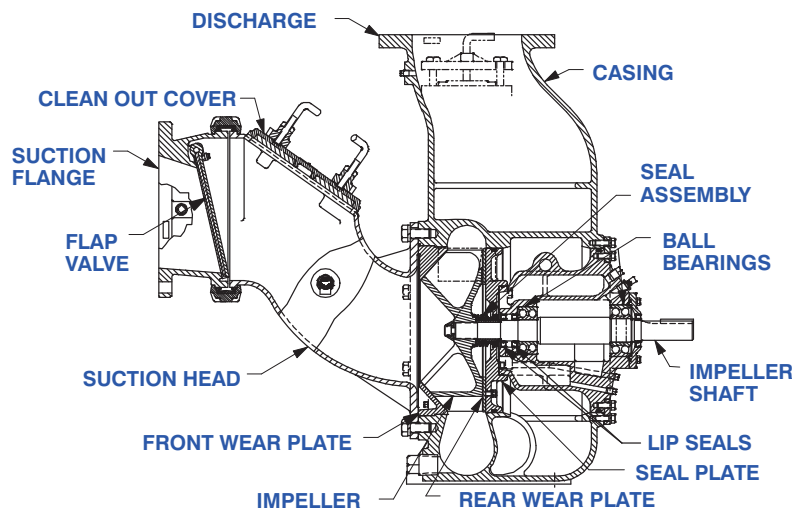
**PUMP SPECIFICATIONS**

- Size:** 10" x 10" (254 mm x 254 mm) Flanged.
- Casing:** Gray Iron 30.  
Maximum Operating Pressure 99 psi (683 kPa) \*
- Semi-Open Type, Two Vane Impeller:** Ductile Iron 65-45-12.  
Handles 3" (76.2 mm) Diameter Spherical Solids.
- Impeller Shaft:** Stainless Steel 17-4 PH.
- Shaft Sleeve:** Alloy Steel 4130.
- Replaceable Front Wear Plate:** Ductile Iron 80-55-06.
- Replaceable Rear Wear Plate:** Carbon Steel 1026.
- Removable Clean-out Cover Plate:** Gray Iron 30; 9 lbs. (4 kg).
- Flap Valve:** Neoprene w/Steel Reinforcing.
- Seal Plate:** Gray Iron 30.
- Bearing Housing:** Gray Iron 30.
- Radial and Thrust Bearings:** Open Double Row Ball.
- Bearing and Seal Cavity Lubrication:** SAE 30 Non-Detergent Oil.
- Suction Flange:** Gray Iron 30.
- Suction Head:** Gray Iron 30.
- Gaskets:** Buna-N, PTFE, Cork, and Rubber.
- O-Rings:** Buna-N.
- Hardware:** Standard Plated Steel.
- Brass Pressure Relief Valve.**
- Bearing and Seal Cavity Oil Level Sight Gauges.**
- Optional Equipment:** Metal Bellows Seal. Automatic Air Release Valve. High Pump Temperature Shutdown Kit. 120V/240V Casing Heater. Continuous Vane Ductile Iron Impeller w/Self-Cleaning Ductile Iron Wear Plate. Gray Iron 30 Spool Flanges:  
10" ASA Discharge.  
250 mm DIN 2527 (PN 16) Suction and Discharge  
**(Specify Model T10A3S-B /FM).**

*\*Consult Factory for Applications Exceeding Maximum Pressure and/or Temperature Indicated.*



Shown with Optional Discharge Spool Flange (Suction/Discharge Spool Flanges Available in ASA or DIN Standard Sizes).



**SEAL DETAIL**

Cartridge Type, Mechanical, Oil-Lubricated, Double Floating, Self-Aligning. Tungsten Titanium Carbide Rotating and Stationary Faces. Stainless Steel 316 Stationary Seat. Fluorocarbon Elastomers (DuPont Viton® or Equivalent). Stainless Steel 18-8 Cage and Spring. Maximum Temperature of Liquid Pumped, 160°F (71°C).\*



THE GORMAN-RUPP COMPANY • MANSFIELD, OHIO

GORMAN-RUPP OF CANADA LIMITED • ST. THOMAS, ONTARIO, CANADA

www.grpumps.com

Specifications Subject to Change Without Notice

Printed in U.S.A.

